

# Memorandum

---

**To** All Construction Service Providers, Resource Managers/Coordinators, Network Compliance Auditors

**Copy** All Customer Project Managers, C Jenkins, J Baker

**Date** 30 August 2006

**Subject** **Network Compliance Bulletin #13 (Underground Projects)**

---

This memorandum has been issued to reinforce the requirements for the installation of all Underground Cables in preparation for current and future tie-in of underground estates.

The intent of this Bulletin is to ensure that the ends of newly installed cables for cable joints and terminations can be identified in a consistent manner by the installation of a pit and that the excavations are backfilled to minimise safety risks.

These requirements are not applicable to tie-in connections that are proposed within a pillar, kiosk substation, cabinet, cable head pole or where a tie-in is scheduled concurrently with construction.

Preparation of underground cables for other scenarios is detailed in an earlier Network Compliance Bulletin #10 (17 February 2006).

**A. Tie - In Joint Location:**

The constructor must first locate the existing cables, lay the new cable over the top of the existing cover slabs, leaving sufficient length to enable the joint to be completed and then install a pit 100mm from the end of the existing cable. Cover slabs and marker tape should be installed over the new cable as per standard GA211, the trench should then be backfilled and the nature strip reinstated if applicable.

*Note: For tee joints the pit should be located directly above the proposed point of connection of the existing cable.*

**Refer to attachment 'a'**

**B. Cable Remote Ends:**

The ends of all new cables that may be part of a future extension must also be identified in the same manner by the installation of a pit 100mm from the end of the cable.

**Refer to attachment 'b'**

**Note: The MOC's / No Go Zone processes must be adhered to prior to undertaking any excavation.**

These requirements are effective immediately for new projects. Compliance to the above standards for Tie - In will be included in the final compliance audit; non conformances will be considered as a major non compliance.

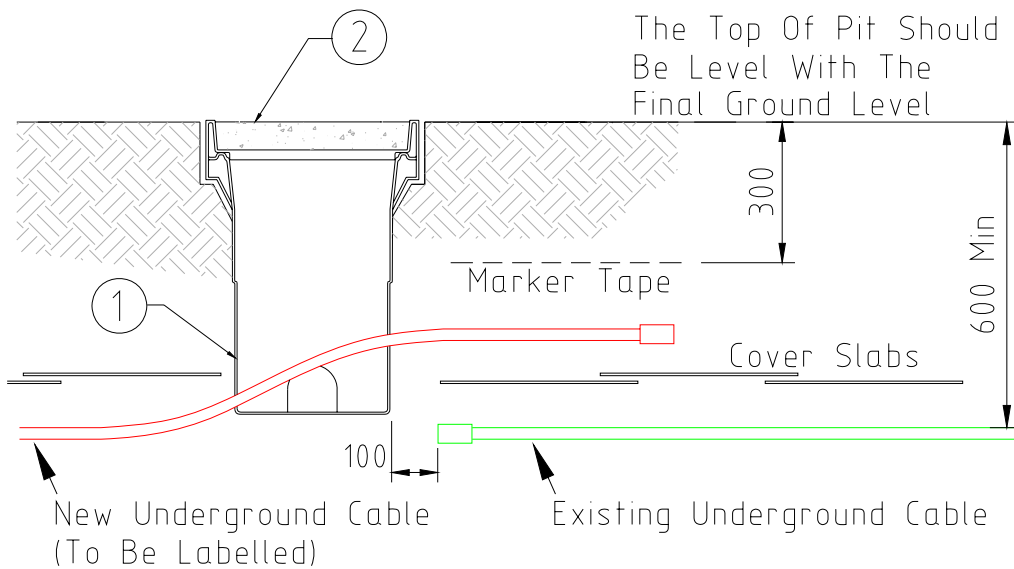
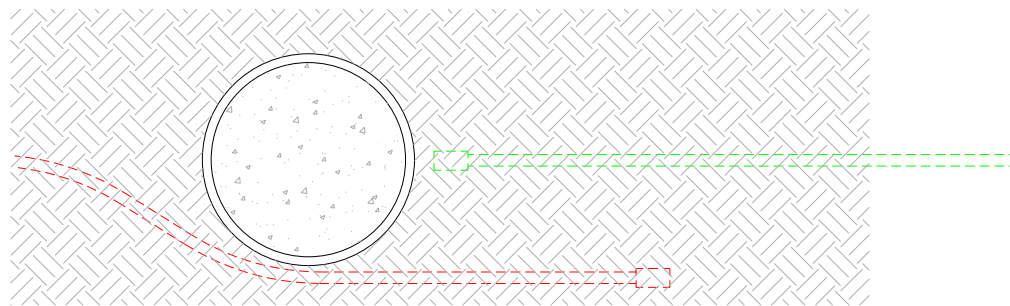
*Note for Option 2 Contractors: This document can also be viewed on the Powercor Website / Contractors & Suppliers / Technical Standards / Option 2 Information & Forms*

Should you have further queries please contact Les Ferris ph. 53272404 or Graeme Davenport ph. 53272238

**Les Ferris**  
**Network Compliance Manager**

(attachment a)

- 1 GS701 Body, Service Pit, Underground, Polyethylene, 600mm Long
- 2 GS711 Lid, Service Pit, Underground, Concrete, 300mm ID



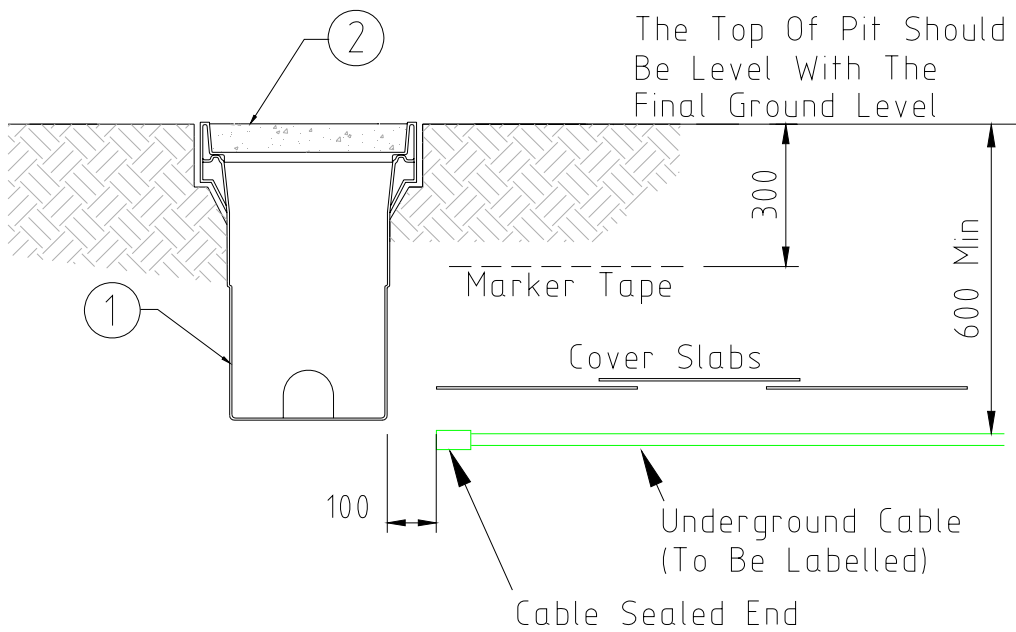
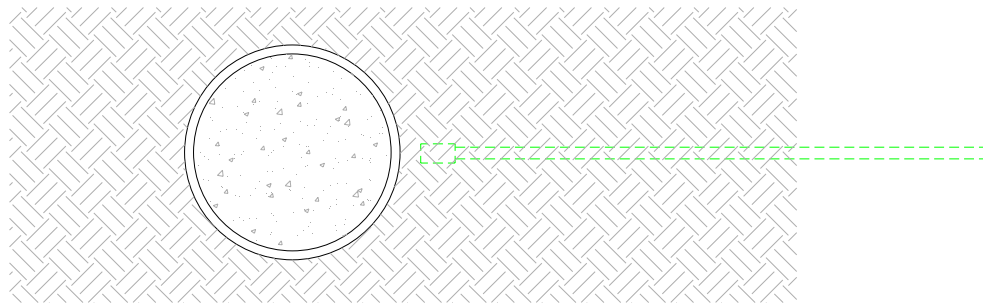
10 January 2006  
 Page 1 of 2

INSTALLATION OF  
 UNDERGROUND CABLE  
 TIE IN

DISTRIBUTION  
 CONSTRUCTION URD  
 Network Compliance L. Ferris  
 Manager.

**(attachment b)**

- 1 GS701 Body, Service Pit, Underground, Polyethylene, 600mm Long
- 2 GS711 Lid, Service Pit, Underground, Concrete, 300mm ID



	28 June 2005 Page 2 of 2	INSTALLATION OF UNDERGROUND CABLE FUTURE TIE IN	DISTRIBUTION CONSTRUCTION URD
			Network Compliance Manager.